

Basic

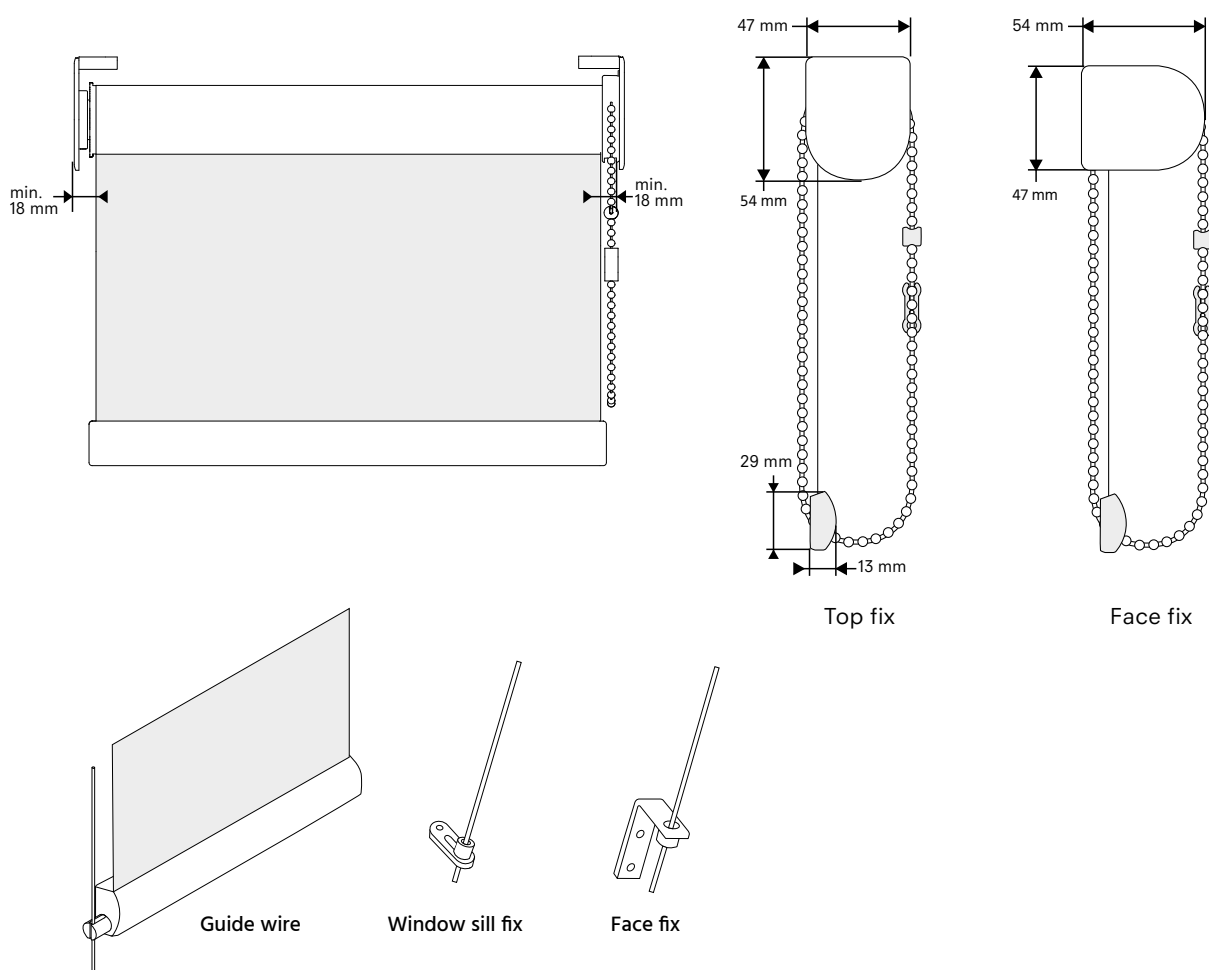
Roller blind QS60

Product information

A simple, visible roller blind, perfect for situations where cassettes are not required. This entry level blind still benefits from the high quality, low-noise chain control system, offering superb user comfort.

Please refer to www.kvadratverosol.nl for the full range of roller blind types and shapes.

System drawings



kvadrat verosol

Technical information

Product code	QS60.0	
Product name	Standard roller blind	
Operation	Chain operation	
Tube	Material	Extruded aluminium Ø 34 mm
Dimensions	Width	400 mm min - 1800 mm max
	Drop*	300 mm min - 2800 mm max
	Maximum area	5.0 m ²
Bottom rail	Material	Extruded aluminium alloy - asymmetric profile
	Dimensions	13 mm W x 29 mm H
	Colours	Powder coated RAL 9001, 9005, 9010, 9016, or aluminium anodised
Cassette	Material	UV stabilised ABS
	Dimensions	UV stabilised PA
End caps	Material	Grey, White, Black, coordinated to rail colour
	Colours	Nickel plated brass or stainless steel
Bead chain	Material	Press formed steel, pre-treated and powder coated
Installation brackets	Material	Top or face fixing - concealed when installed
	Application	Top or face fixing - concealed when installed

Motorisation

Product code	QS60.4	QS60.5	
Product name	Standard roller blind	Standard roller blind	
Operation	24V DC motor	12V DC battery motor	
Tube	Material	Extruded aluminium Ø 34 mm	Extruded aluminium Ø 34 mm
Dimensions	Width	470 mm min - 1800 mm max	700 mm min - 1800 mm max
	Drop*	300 mm min - 2800 mm max	300 mm min - 2800 mm max
	Maximum area	5.0 m ²	5.0 m ²

Optional

Guiding Wire	Cable	Steel
	Bracket	Nickel plated steel

* Maximum drop depending on fabric thickness. Please refer to www.verosol.com for more information.

Disclaimer: Subject to misprints, errors and technical modifications.
Please contact projecten@verosol.nl to check or for questions regarding other measurements.